

Service
Service
Service



Service Manual



CONTENTS

Technical specification	1-2	AMP Board	
Version variation	1-2	Circuit diagram	9-1
Service measurement setup.....	1-3	Layout diagram	9-2..9-3
Service aids	1-4	CD board	
Instructions on CD playability	2-1..2-2	Circuit diagram	10-1
Block diagram	3-1	Layout diagram	10-2..10-3
Wiring diagram	4-1	MCU Board	
Disassembly diagram.....	5-1..5-2	Circuit diagram	11-1
Tuner board		Layout diagram	11-2..11-3
Circuit diagram	6-1	Exploded view diagram	12-1
Layout diagram.....	6-2		
Main board			
Circuit diagram	7-1		
Layout diagram.....	7-2..7-3		
Front board			
Circuit diagram	8-1		
Layout diagram.....	8-2..8-3		



© Copyright 2010 Philips Consumer Electronics B.V. Eindhoven, The Netherlands
All rights reserved. No part of this publication may be reproduced, stored in a retrieval system or transmitted, in any form or by any means, electronic, mechanical, photocopying, or otherwise without the prior permission of Philips.

Published by LX 1024 Service Audio Subject to modification

3141 785 35320

Version 1.0



PHILIPS

TECHNICAL SPECIFICATION

Sound

- Total Sound Power (RMS): 400 W
- Output power (RMS): 4x60W/ch + 160W
- Sound Enhancement: MAX Sound, Dynamic Bass Boost 3 steps, Incredible Surround, Digital Sound Control 4 modes, Virtual Ambience Control
- Output Power: 6500W PMPO

Loudspeakers

- Number of Loudspeakers: 3
- Main Speaker: 2" tweeter, Bass Reflex Speaker System, 5.25" woofer
- Subwoofer driver: 8" woofer
- Subwoofer type: Passive

Audio Playback

- Loader Type: 3 CD Carousel
- Number of Discs: 3
- Playback Media: CD, CD-R, CD-RW, MP3-CD, WMA-CD
- Disc Playback Modes: 40-Track Programmable, Repeat/one/disk/program, Shuffle Play
- USB Direct Modes: Play/Pause, Stop, Previous/Next, Fast Backward/Fast Forward, Repeat, Shuffle, Delete

Tuner/Reception/Transmission

- Auto digital tuning
- Station presets: 40
- Tuner Bands: MW, FM Stereo
- Tuner Enhancements: Auto Store, Easy Set (Plug & Play)

Connectivity

- Audio Connections: RCA Aux in, 3.5mm stereo

- line in -MP3 link
- USB: USB host
- Microphone: Dual Microphone sockets
- Other connections: FM Antenna, MW Antenna

Convenience

- Alarms: CD Alarm, USB alarm, Radio Alarm, Sleep timer
- Clock: On main display
- Display Type: LCD
- Karaoke: MIC volume, Echo control

Accessories

- Remote control: 36-key with 2xAAA batteries
- User Manual: Spanish, B-Portuguese
- Quick start guide: Spanish, B-Portuguese
- Guarantee booklet: Global version
- Included accessories: FM/MW Antenna, Batteries for remote control, *Flat pin adaptor, AC Power Cord
- Cables: MP3 line-in cable

Dimensions

- Set dimensions (W x H x D): 269 x 310 x 352 mm
- Subwoofer dimensions (W x H x D): 260 x 310 x 426 mm
- Packaging dimensions (W x H x D): 1085 x 498 x 367 mm
- Weight incl. Packaging: 23.5 kg
- Speaker Depth: 292 mm
- Speaker Height: 310 mm
- Speaker Width: 209 mm

Power

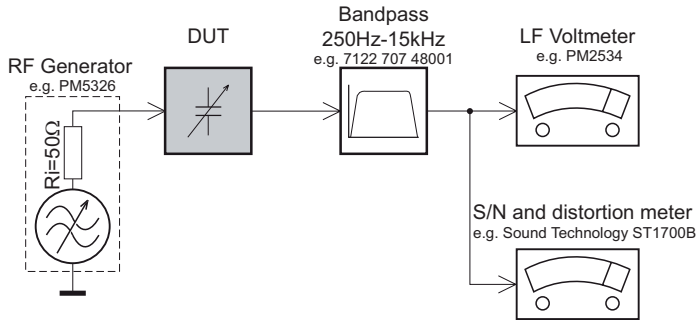
- Power supply: 100-240VAC, 50/60Hz

VERSION VARIATION

Type /Versions: Board in used:	FWM653									
	Service policy									
	/55	/00		/77	/BK	/93	/94			/98
MAIN BOARD	C/M			C/M	C/M					
TUNER BOARD	C/M			C/M	C/M					
AMP BOARD	C/M			C/M	C/M					
FRONT BOARD	C/M			C/M	C/M					
CD BOARD	C/M			C/M	C/M					
MCU BOARD	C/M			C/M	C/M					
Type /Versions: Features	FWM653									
	Feature difference									
	/55	/00		/77	/BK	/93	/94			/98
RDS										
VOLTAGE SELECTOR										
ECO STANDBY - DARK										
* TIPS : C -- Component Lever Repair. M -- Module Lever Repair √ -- Used										

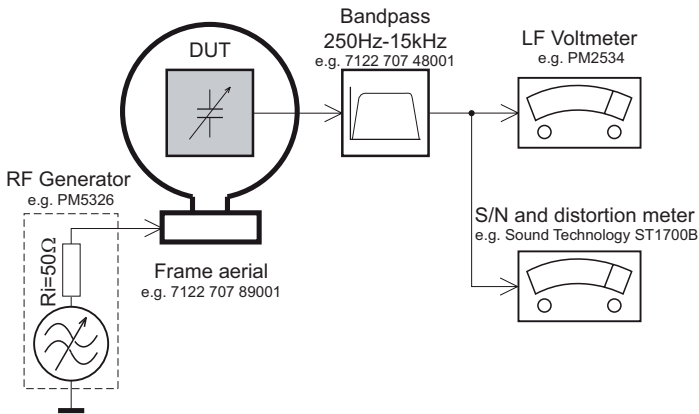
MEASUREMENT SETUP

Tuner FM



Use a bandpass filter to eliminate hum (50Hz, 100Hz) and disturbance from the pilotone (19kHz, 38kHz).

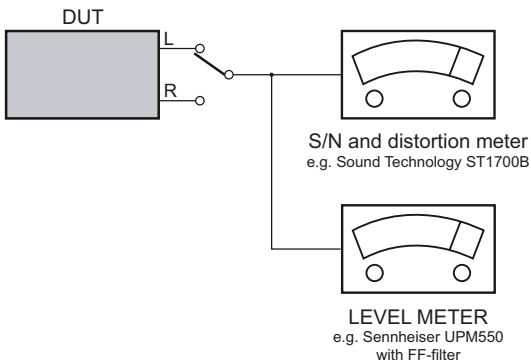
Tuner AM (MW,LW)



To avoid atmospheric interference all AM-measurements have to be carried out in a Faraday's cage. Use a bandpass filter (or at least a high pass filter with 250Hz) to eliminate hum (50Hz, 100Hz).

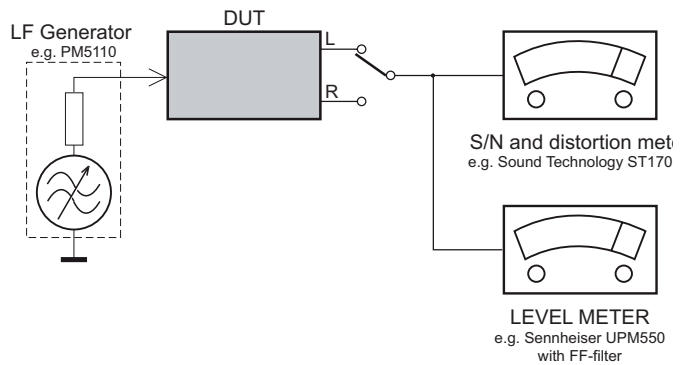
CD

Use Audio Signal Disc SBC429 4822 397 30184 (replaces test disc 3)



Recorder

Use Universal Test Cassette **Cr02** SBC419 4822 397 30069 or Universal Test Cassette **Fe** SBC420 4822 397 30071



SERVICE AIDS

GB WARNING

All ICs and many other semi-conductors are susceptible to electrostatic discharges (ESD). Careless handling during repair can reduce life drastically.

When repairing, make sure that you are connected with the same potential as the mass of the set via a wrist wrap with resistance. Keep components and tools also at this potential.

ESD



GB

Safety regulations require that the set be restored to its original condition and that parts which are identical with those specified, be used

Safety components are marked by the symbol .

**CLASS 1
LASER PRODUCT**

INFORMATION ABOUT LEAD-FREE SOLDERING

Philips CE is producing lead-free sets from 1.1.2005 onwards.

IDENTIFICATION:

Regardless of special logo (not always indicated) one must treat all sets from 1 Jan 2005 onwards, according next rules:



- On our website www.atyourservice.ce.Philips.com you find more information to:
 - * BGA-de-/soldering (+ baking instructions)
 - * Heating-profiles of BGAs and other ICs used in Philips-sets
 - * Lead free

You will find this and more technical information within the "magazine", chapter "workshop news".

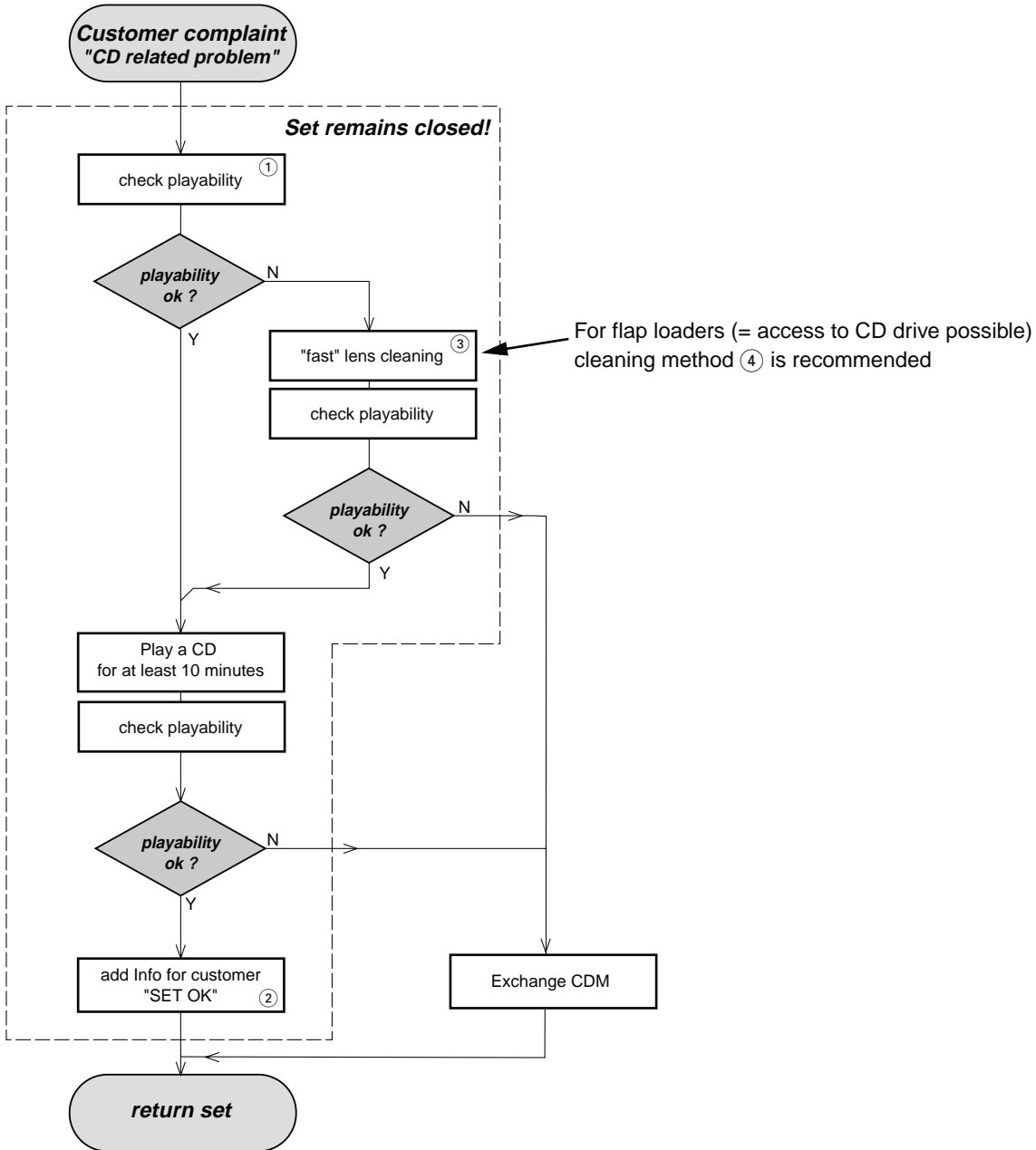
For additional questions please contact your local repair-helpdesk.

SERVICE INSTRUCTION

Safety regulations require that after a repair, the set must be returned in its original condition. Pay in particular attention to the following points:

- Route the wire trees correctly and fix them with the mounted cable clamps.
- Check the insulation of the AC Power lead for external damage.
- Check the strain relief of the AC Power cord for proper function.
- Check the electrical DC resistance between the AC Power Plug and the secondary side (only for sets which have a AC Power isolated power supply):
 1. Unplug the AC Power cord and connect a wire between the two pins of the AC Power plug.
 2. Set the AC Power switch to the "on" position (keep the AC Power cord unplugged!).
 3. Measure the resistance value between the pins of the AC Power plug and the metal shielding of the tuner or the aerial connection on the set. The reading should be larger than 4.5 Mohm (For U.S. it should be between 4.2 Mohm and 12 Mohm).
 4. Switch "off" the set, and remove the wire between the two pins of the AC Power plug.
- Check the cabinet for defects, to avoid touching of any inner parts by the customer.

INSTRUCTIONS ON CD PLAYABILITY



① - ④ For description - see following pages

INSTRUCTIONS ON CD PLAYABILITY

①

PLAYABILITY CHECK

For sets which are compatible with **CD-RW** discs
 use CD-RW Printed Audio Disc7104 099 96611
 TR 3 (Fingerprint)
 TR 8 (600µ Black dot) **maximum at 01:00**

- playback of these two tracks without audible disturbance
 playing time for: Fingerprint ≥ 10 seconds
 Black dot from 00:50 to 01:10
- jump forward/backward (search) within a reasonable time

For all other sets
 use CD-DA SBC 444A4822 397 30245
 TR 14 (600µ Black dot) **maximum at 01:15**
 TR 19 (Fingerprint)
 TR 10 (1000µ wedge)

- playback of all these tracks without audible disturbance
 playing time for: 1000µ wedge ≥ 10 seconds
 Fingerprint ≥ 10 seconds
 Black dot from 01:05 to 01:25
- jump forward/backward (search) within a reasonable time

②

CUSTOMER INFORMATION

It is proposed to add an addendum sheet to the set which informs the customer that the set has been checked carefully - but no fault was found.

The problem was obviously caused by a scratched, dirty or copy-protected CD. In case problems remain, the customer is requested to contact the workshop directly.

The lens cleaning (method ③) should be mentioned in the addendum sheet.

The final wording in national language as well as the printing is under responsibility of the Regional Service Organizations.

④

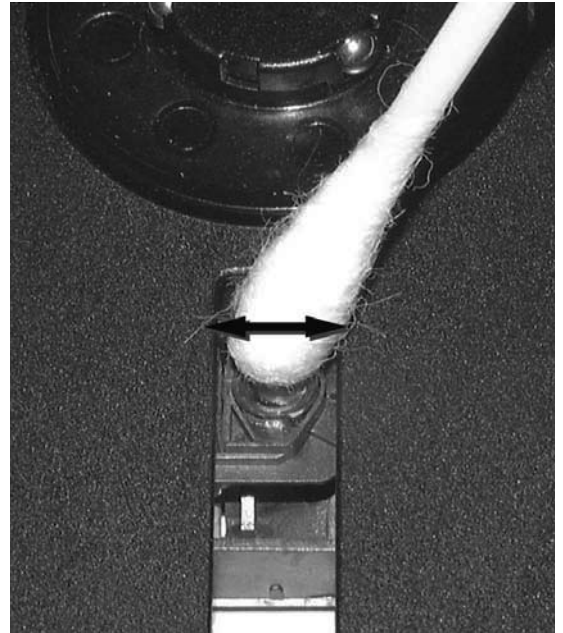
LIQUID LENS CLEANING

Before touching the lens it is advised to clean the surface of the lens by blowing clean air over it. This to avoid that little particles make scratches on the lens.

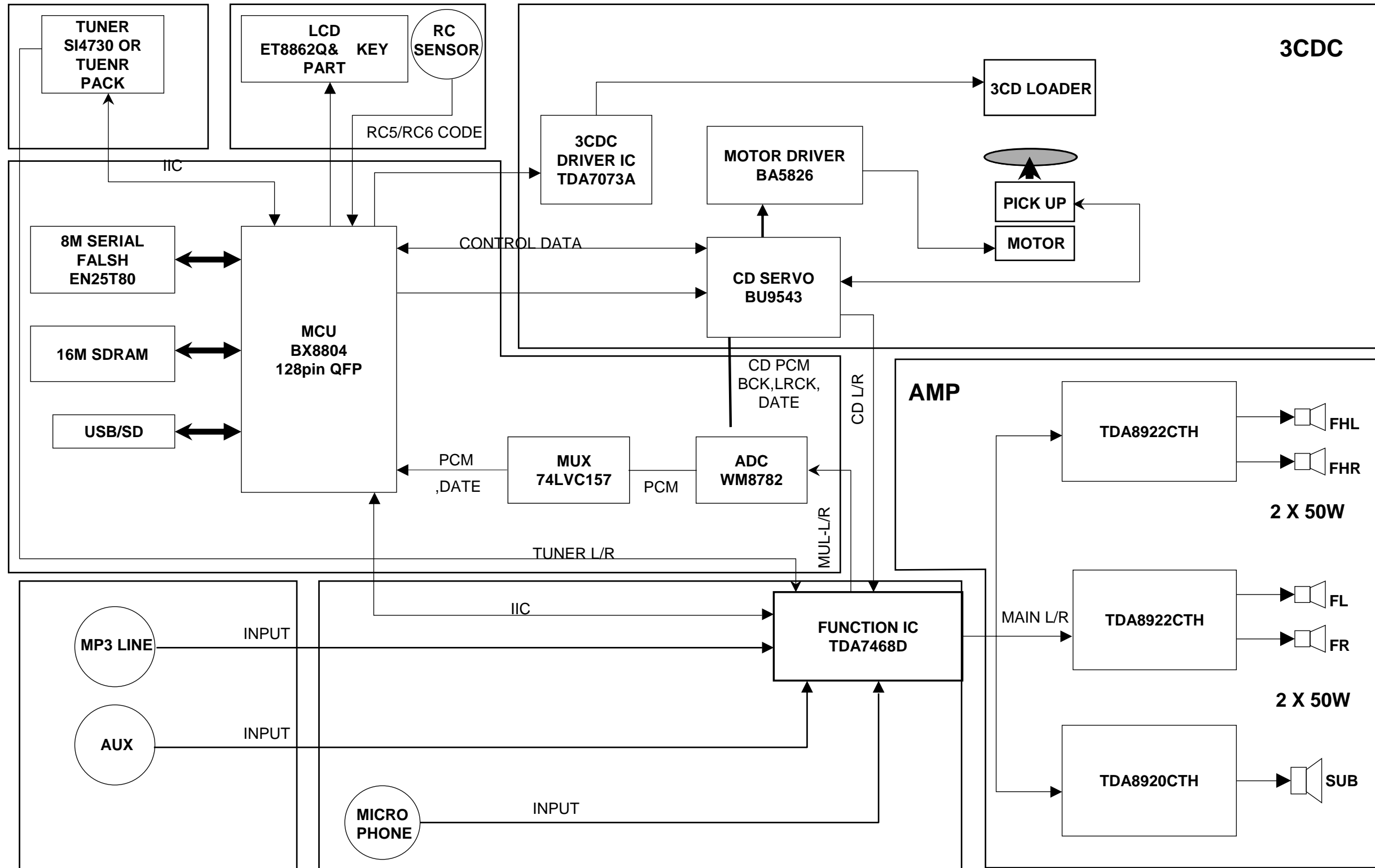
Because the material of the lens is synthetic and coated with a special anti-reflectivity layer, cleaning must be done with a non-aggressive cleaning fluid. It is advised to use "Cleaning Solvent"

The actuator is a very precise mechanical component and may not be damaged in order to guarantee its full function. Clean the lens gently (don't press too hard) with a soft and clean cotton bud moistened with the special lens cleaner.

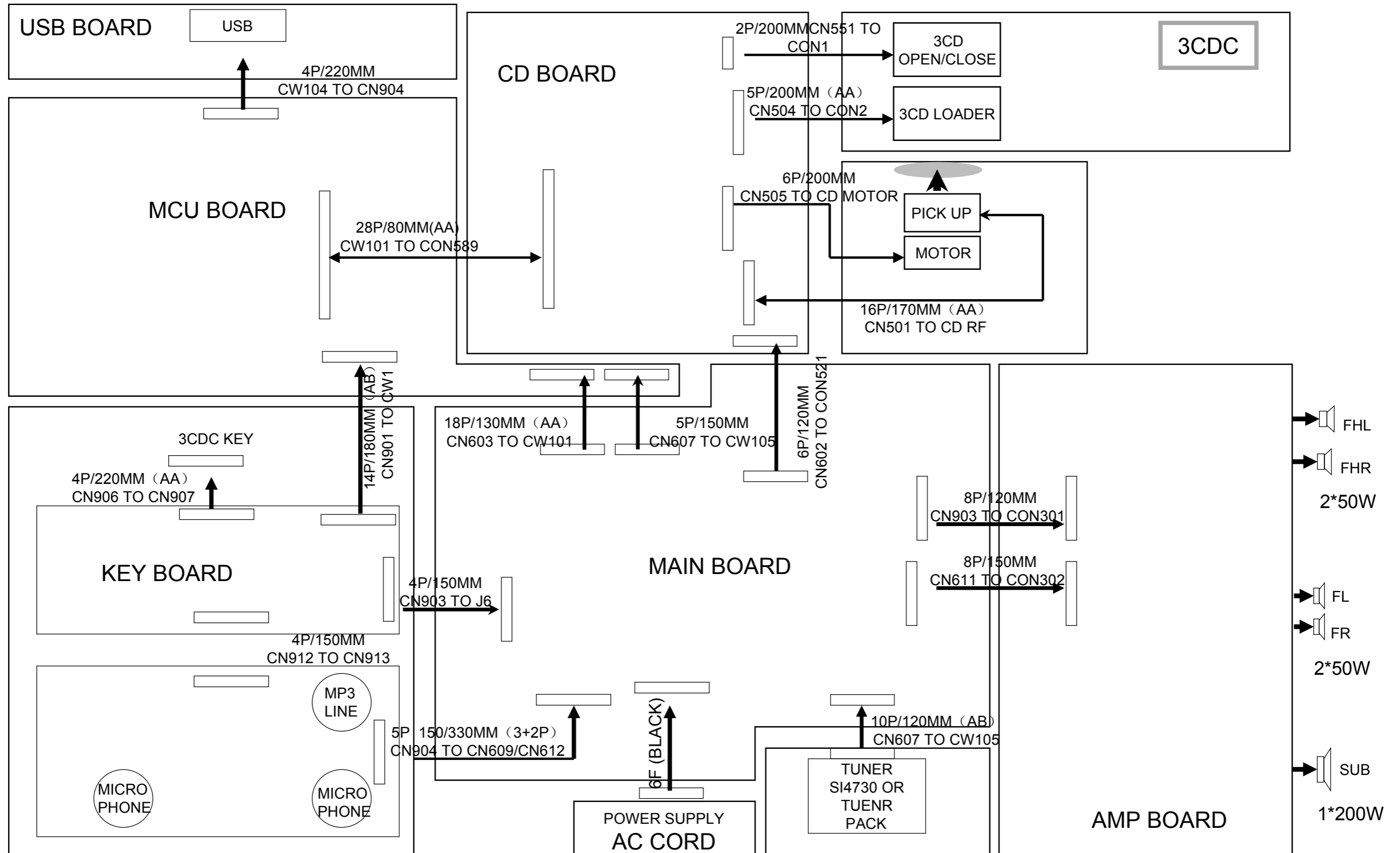
The direction of cleaning must be in the way as indicated in the picture below.



BLOCK DIAGRAM



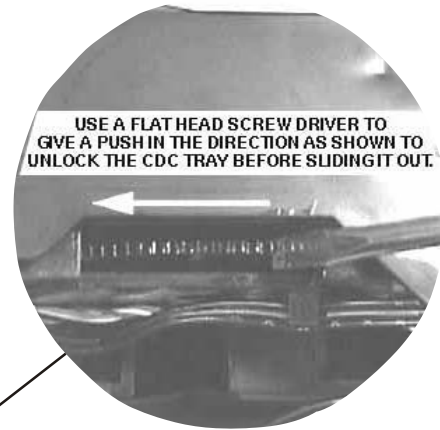
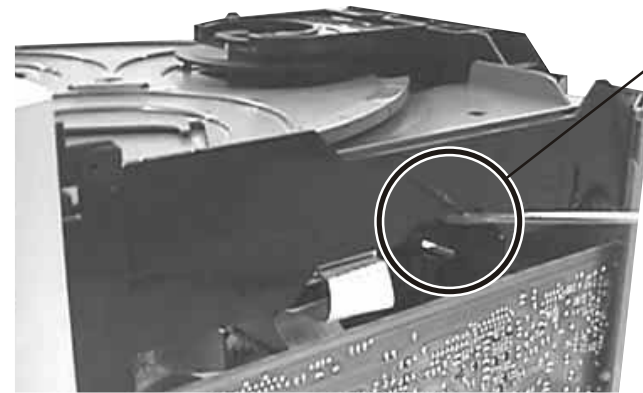
WIRING DIAGRAM



DISMANTLING INSTRUCTIONS

Dismantling of the CDC Module and Front Panel

- 1) Loosen 4 screws to remove the Cover Top of the set.
- 2) Loosen 3 screws to remove the Panel Left and 3 screws to remove the Panel Right of the set.
- 3) Slide out the CDC Tray as shown in the diagram below with the help of a flat head screw driver.



Sliding Out The CDC Tray

- 5) Loosen 2 screws A and 2 screws B to remove the CDC Module as indicated.
- 6) Remove 2 screws at the bottom to separate the Front Panel Assembly from the Plate Bottom.

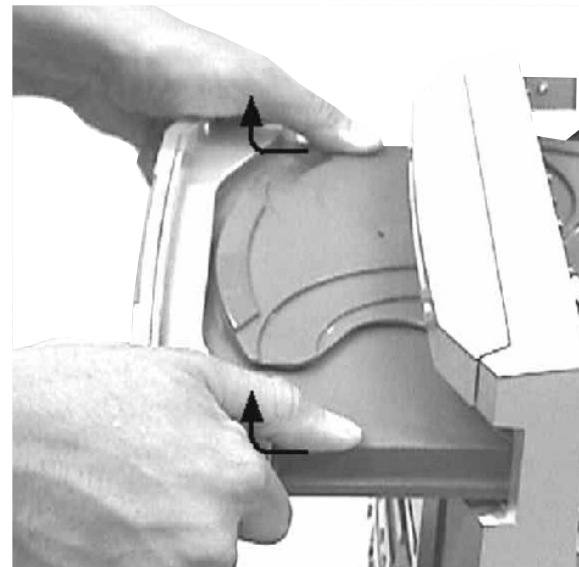


Front View CDC



Remove CDC Module

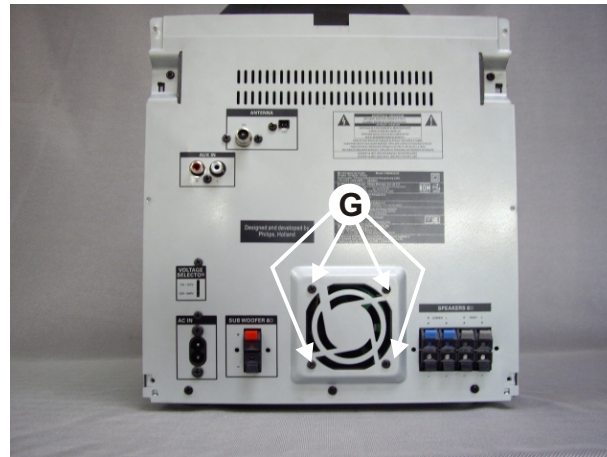
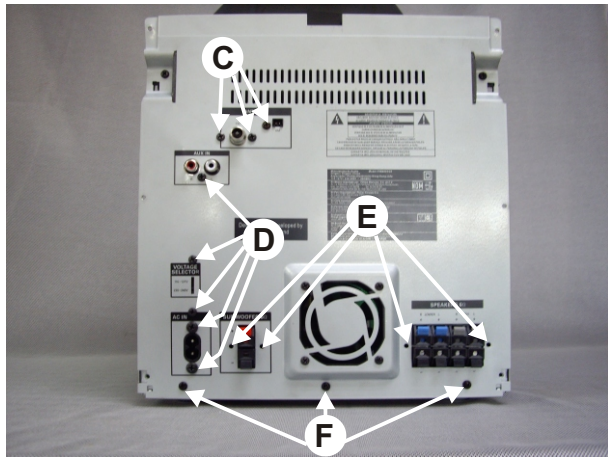
- 4) Remove the Cover Tray CDC as indicated.



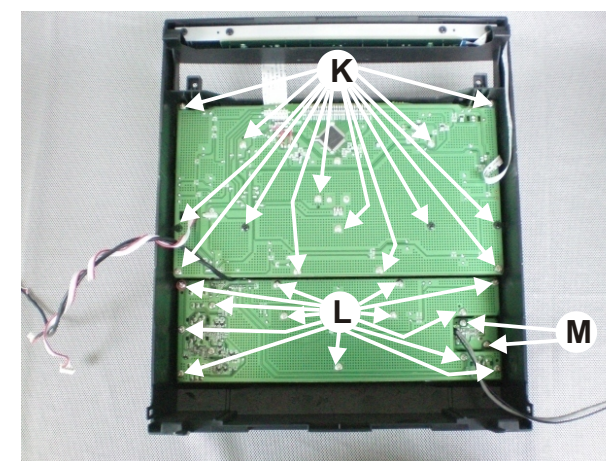
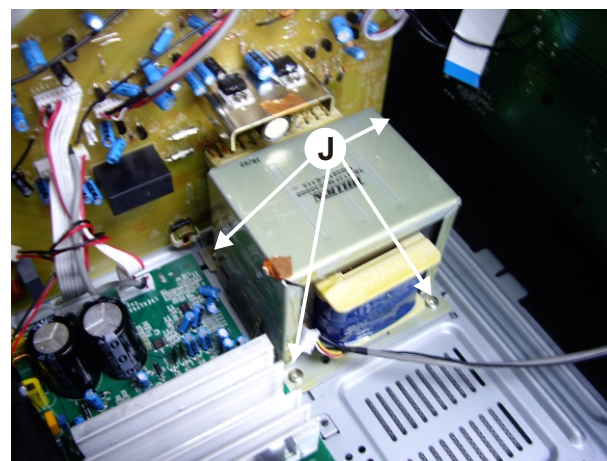
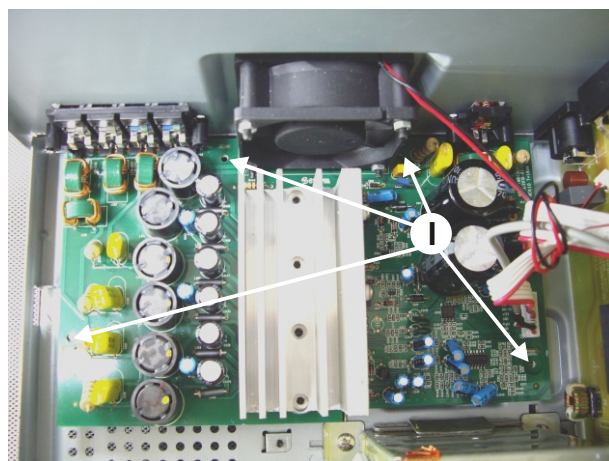
Remove Cover Tray CDC

Dismantling of Rear Portion

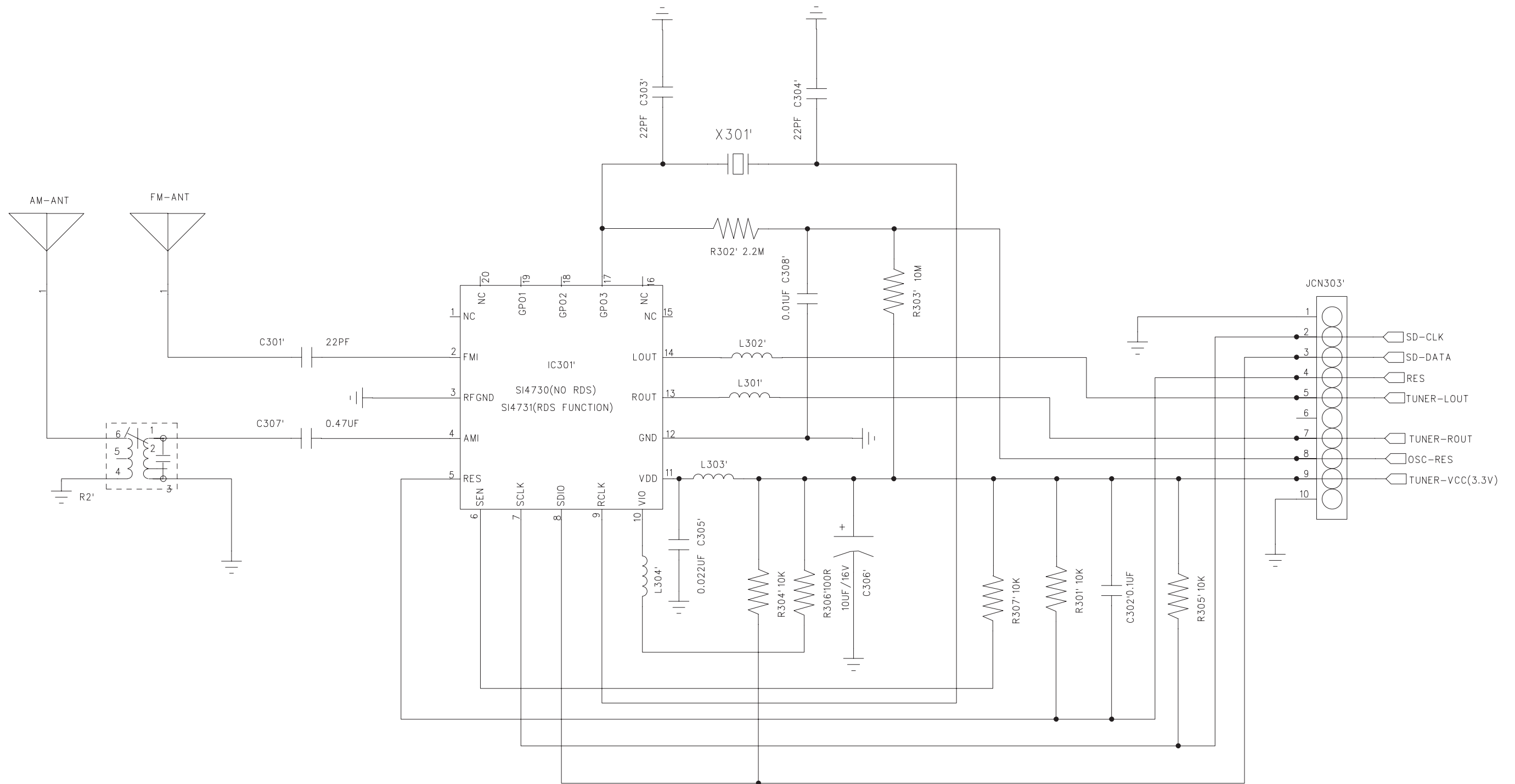
- 1) Remove 3 screws C as indicated to loosen the Tuner Board.
- 2) Remove 5 screws D and 4 screws J as indicated to loosen the Main Board.
- 3) Remove 4 screws E and 4 screws I as indicated to loosen the Amp Board.
- 4) Remove 3 screws F as indicated to loosen the Bottom Cabinet.
- 5) Remove 4 screws G as indicated to loosen the fan.

Dismantling of the PCB Board

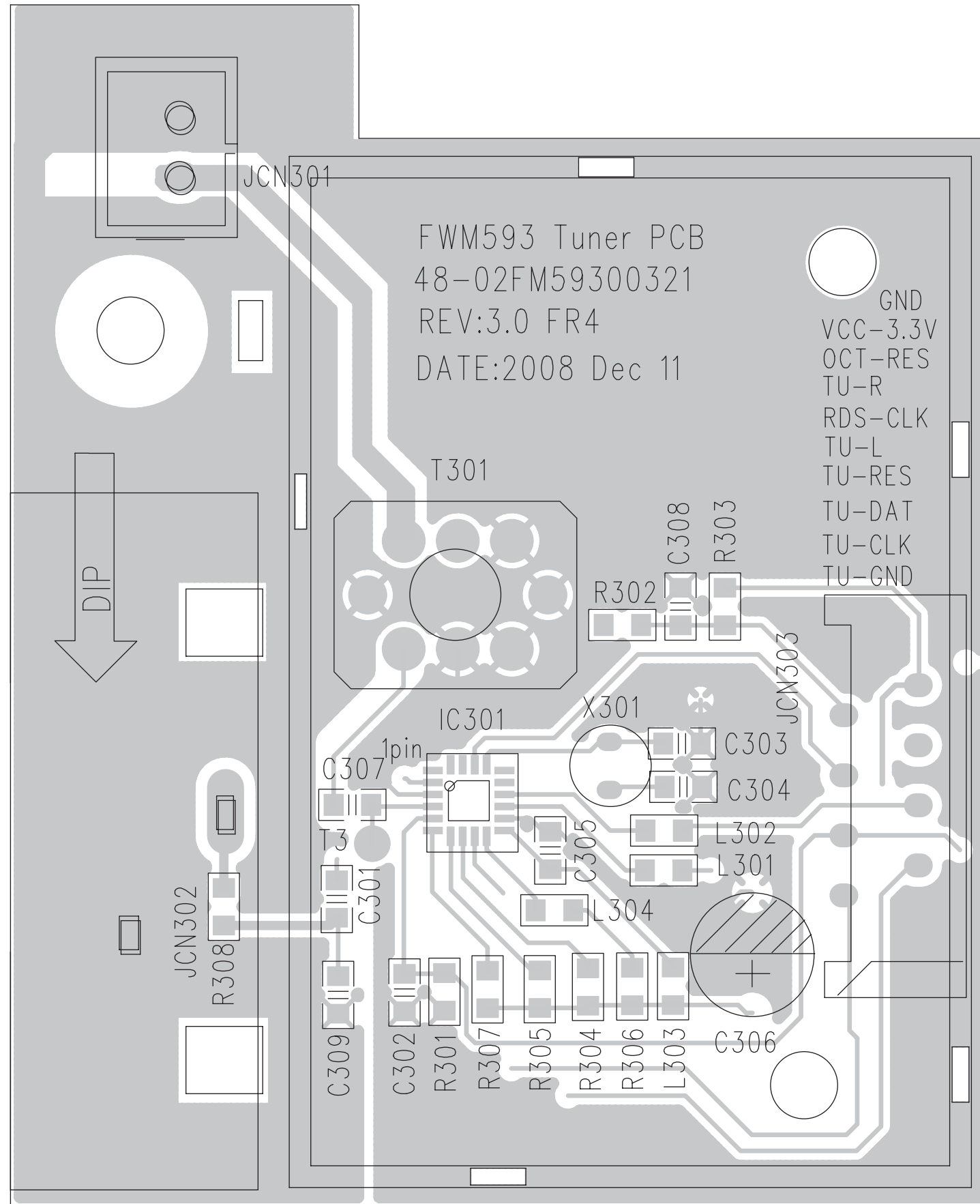
- 1) Remove 27 screws K&L as indicated to loosen the KEY1&2 Board.
- 2) Remove 2 screws M as indicated to loosen the USB Board.



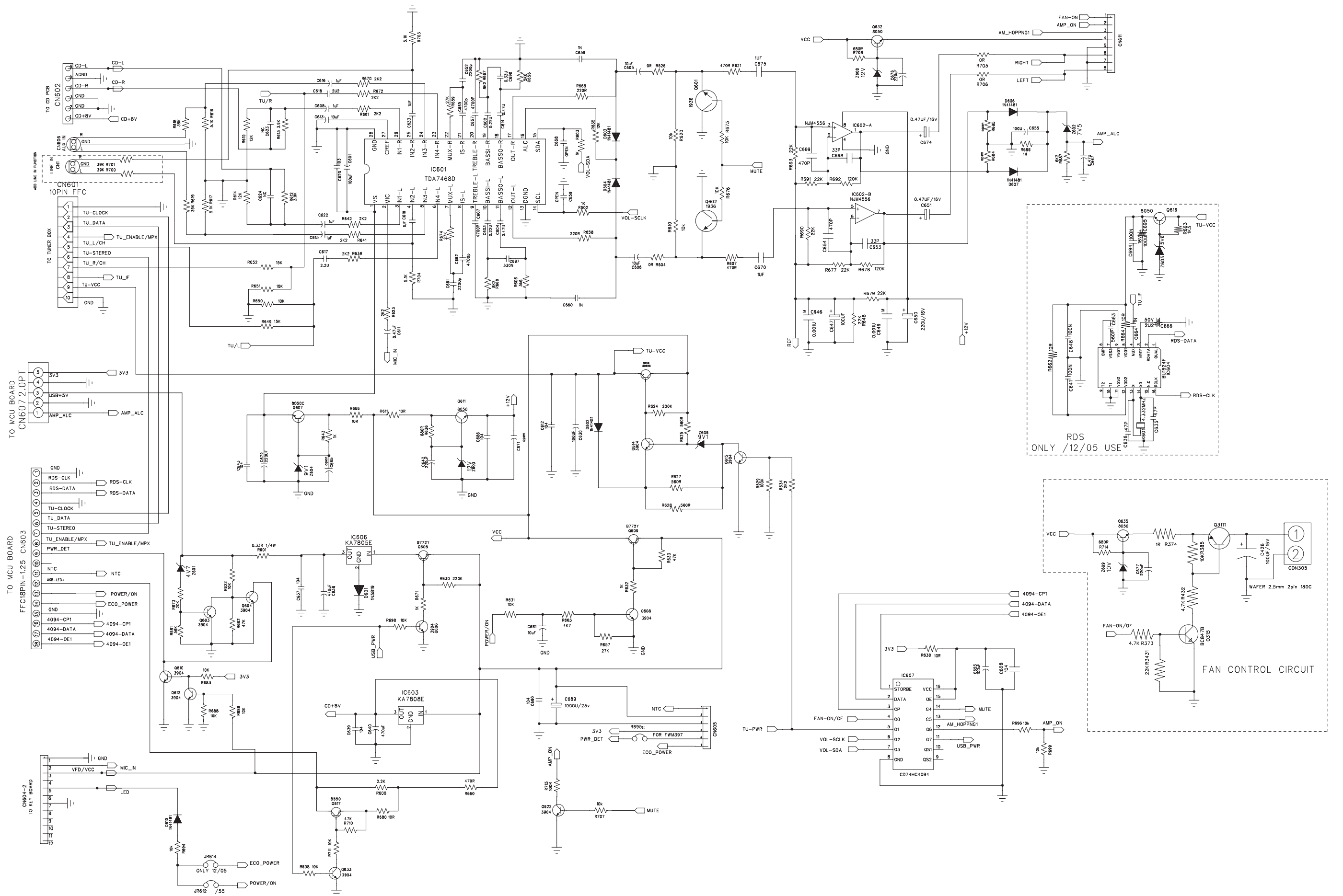
CIRCUIT DIAGRAM - TUNER BOARD



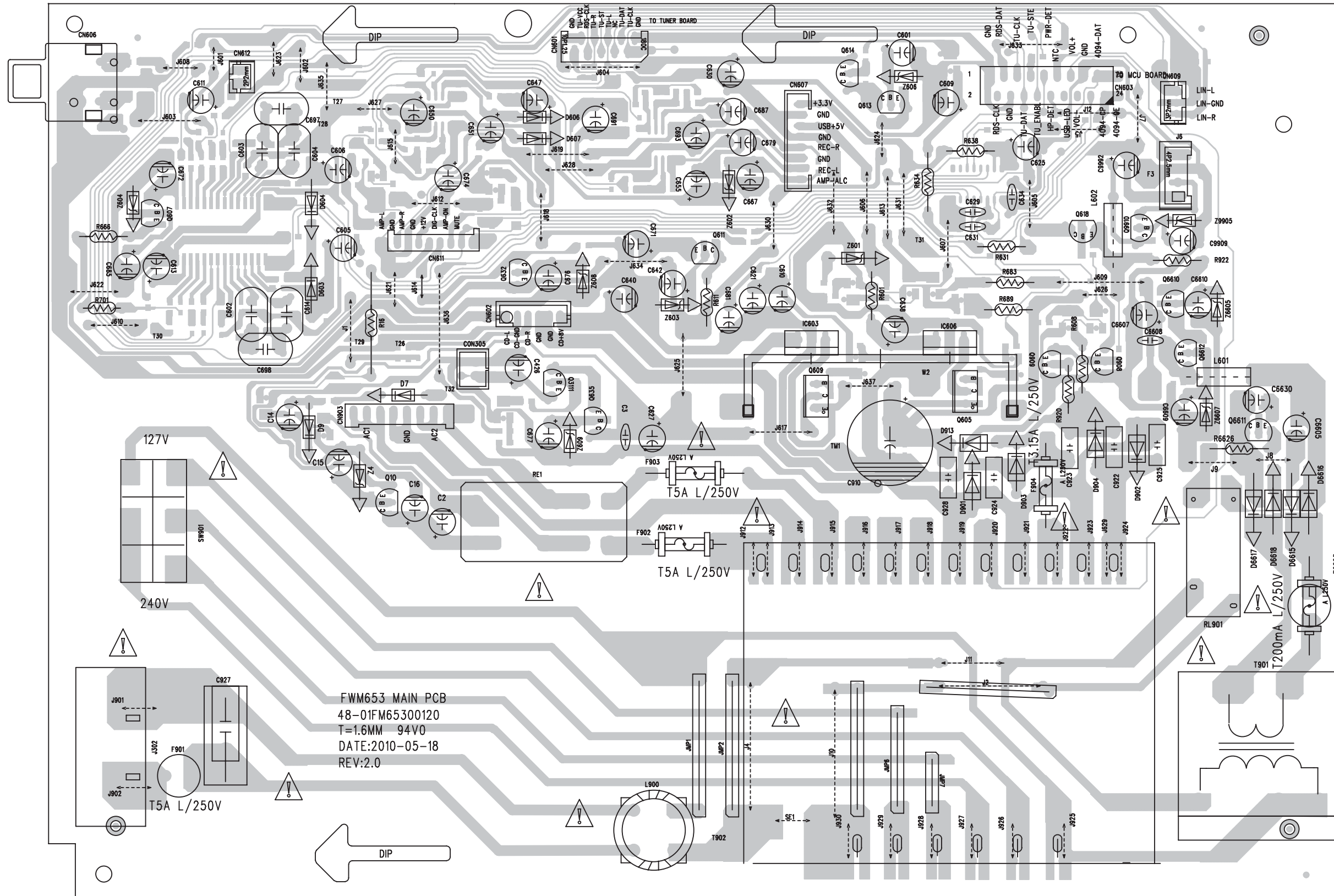
LAYOUT DIAGRAM - TUNER BOARD



CIRCUIT DIAGRAM - MAIN BOARD

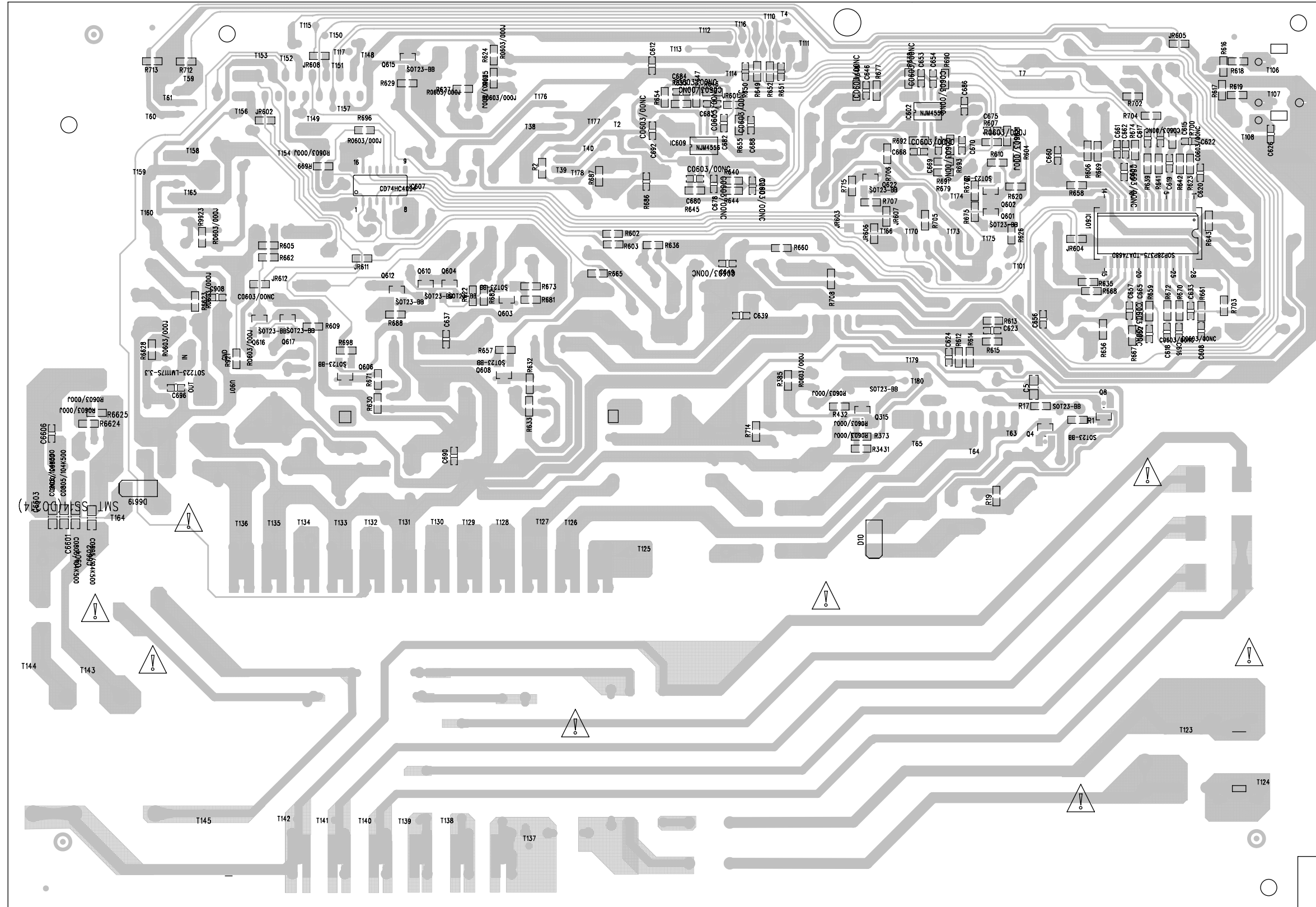


PCB LAYOUT - MAIN BOARD TOP SIDE

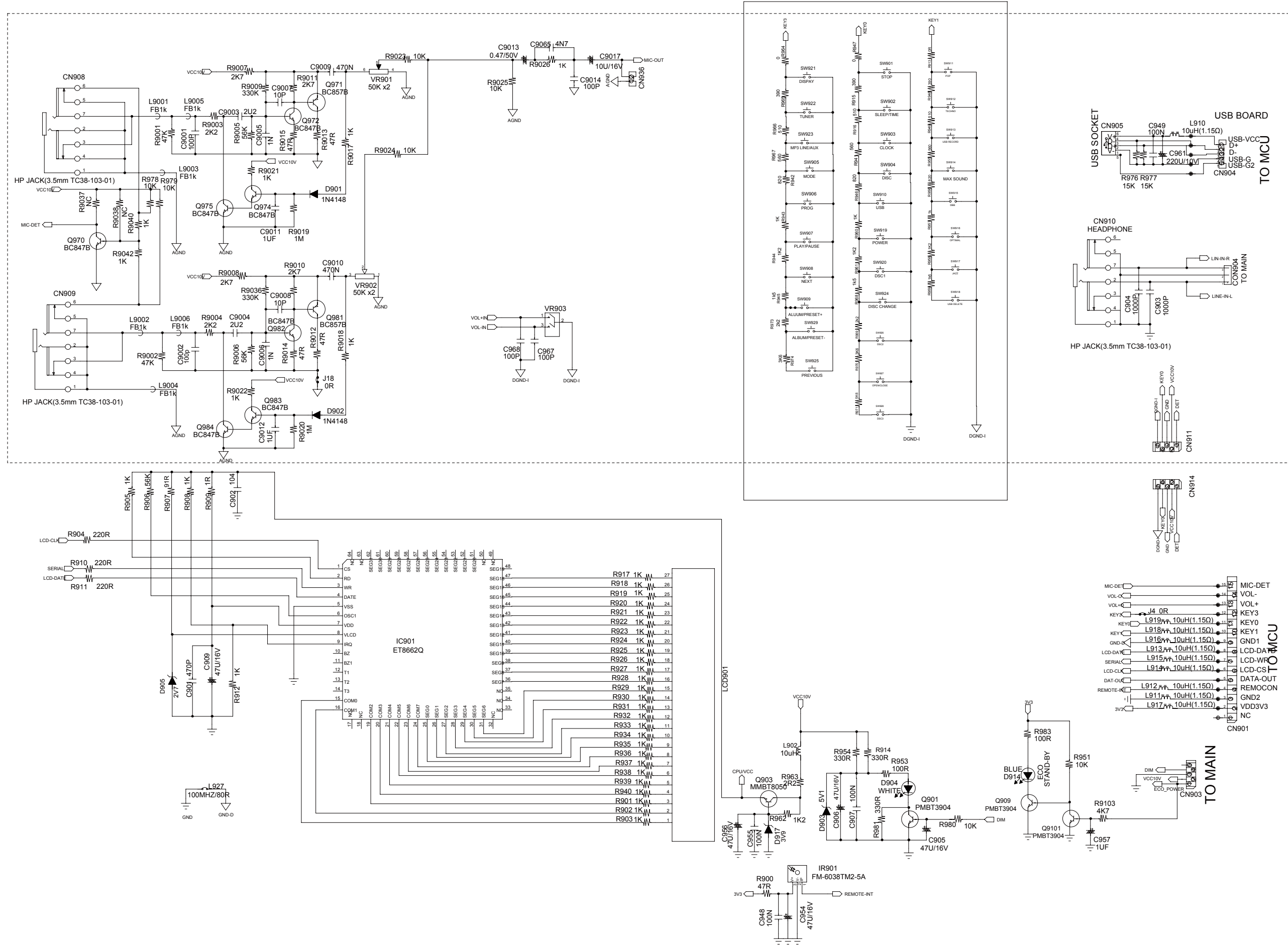


FWM653 MAIN PCB
 48-01FM65300120
 T=1.6MM 94V0
 DATE:2010-05-18
 REV:2.0

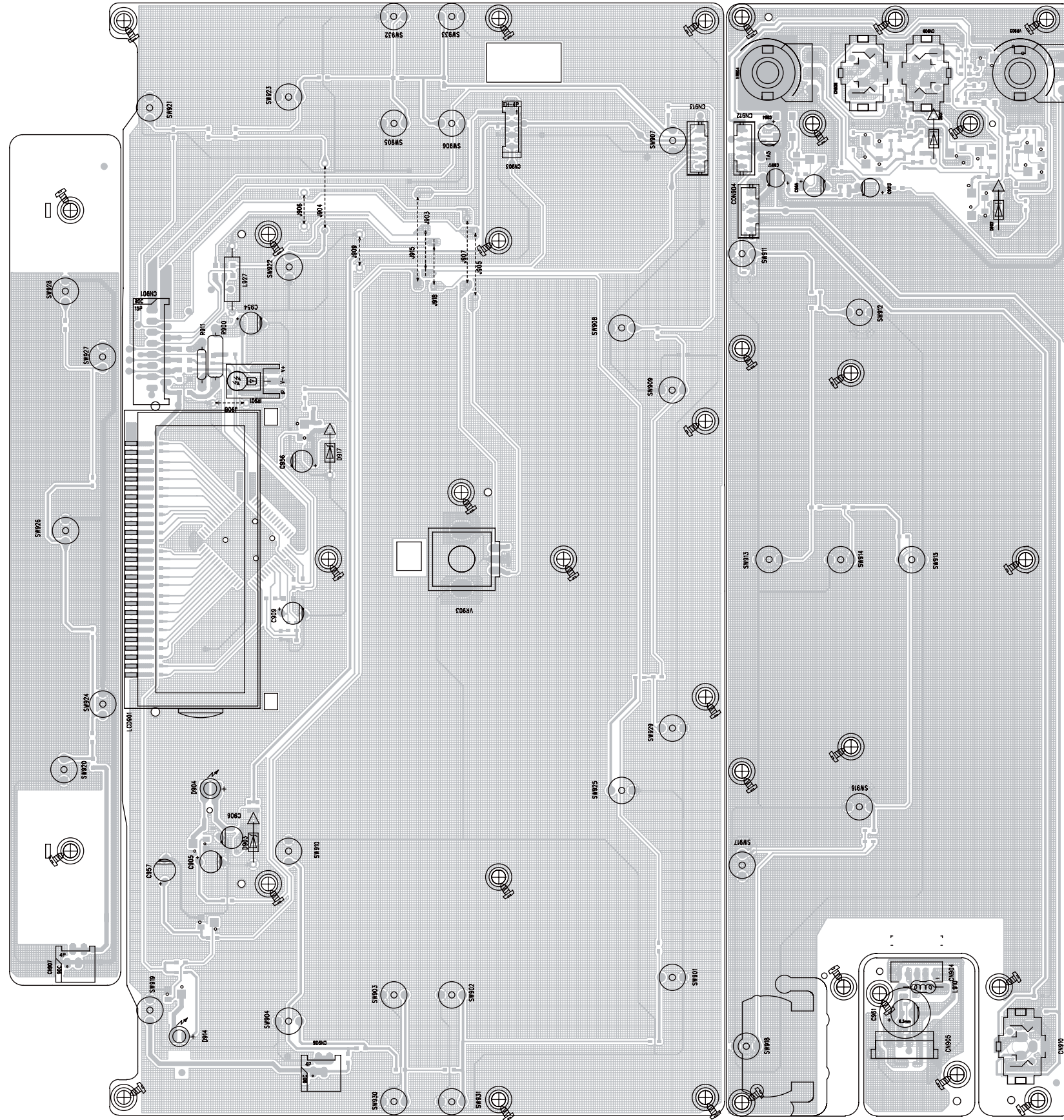
CIRCUIT DIAGRAM - MAIN BOARD BOTTOM SIDE



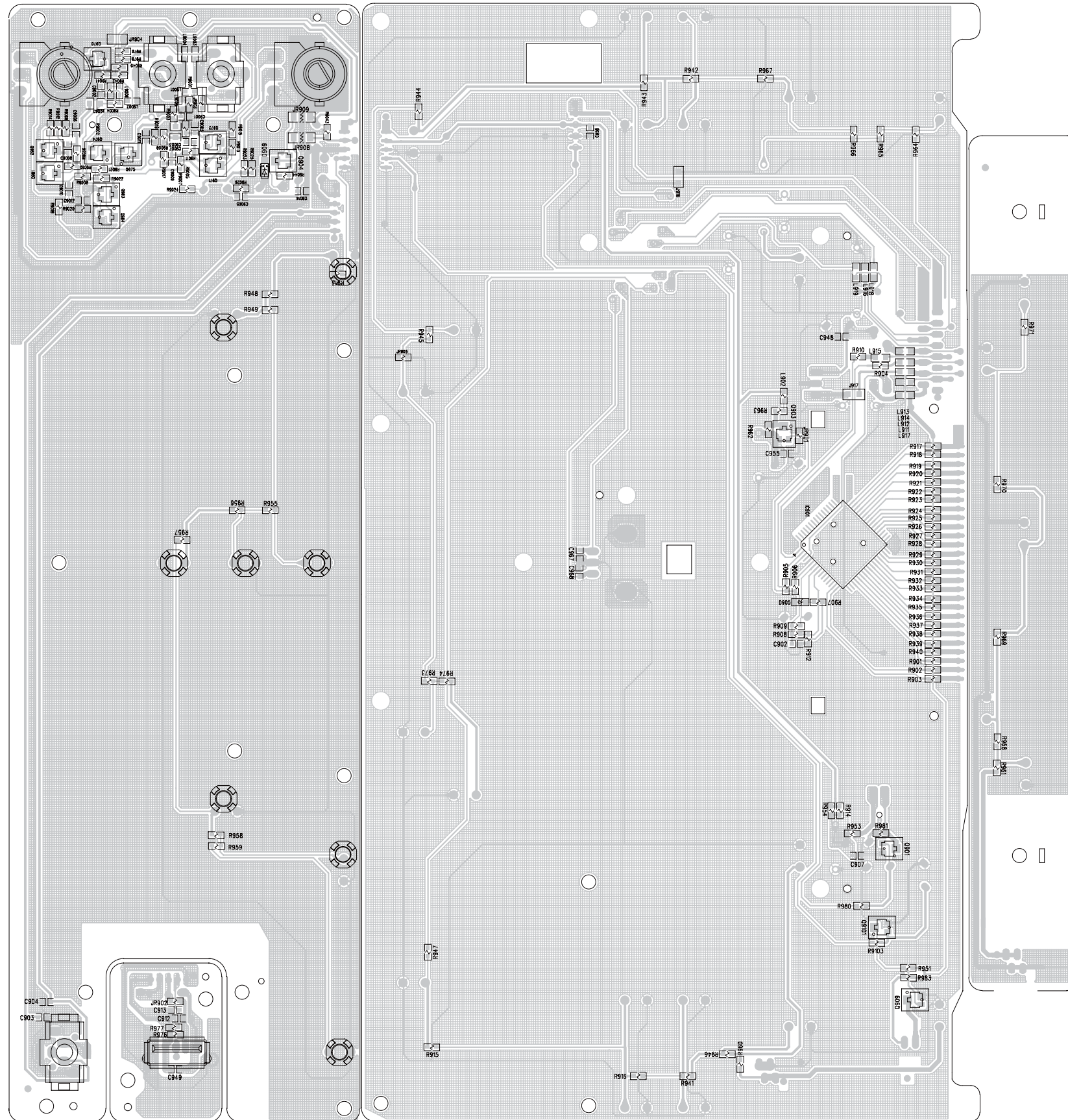
CIRCUIT DIAGRAM - DISPLAY/KEY BOARD



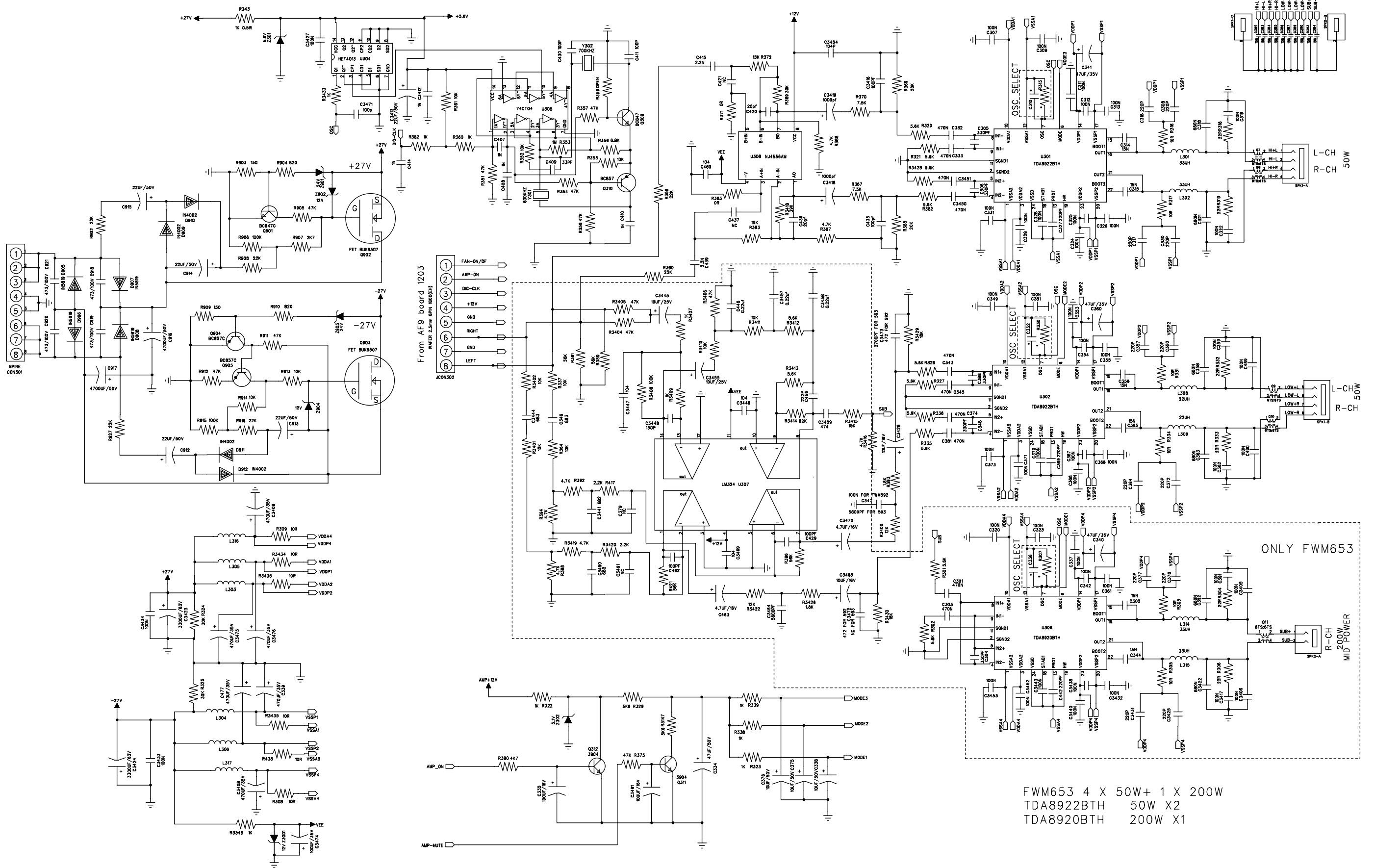
LAYOUT DIAGRAM - DISPLAY/KEY BOARD
TOP SIDE



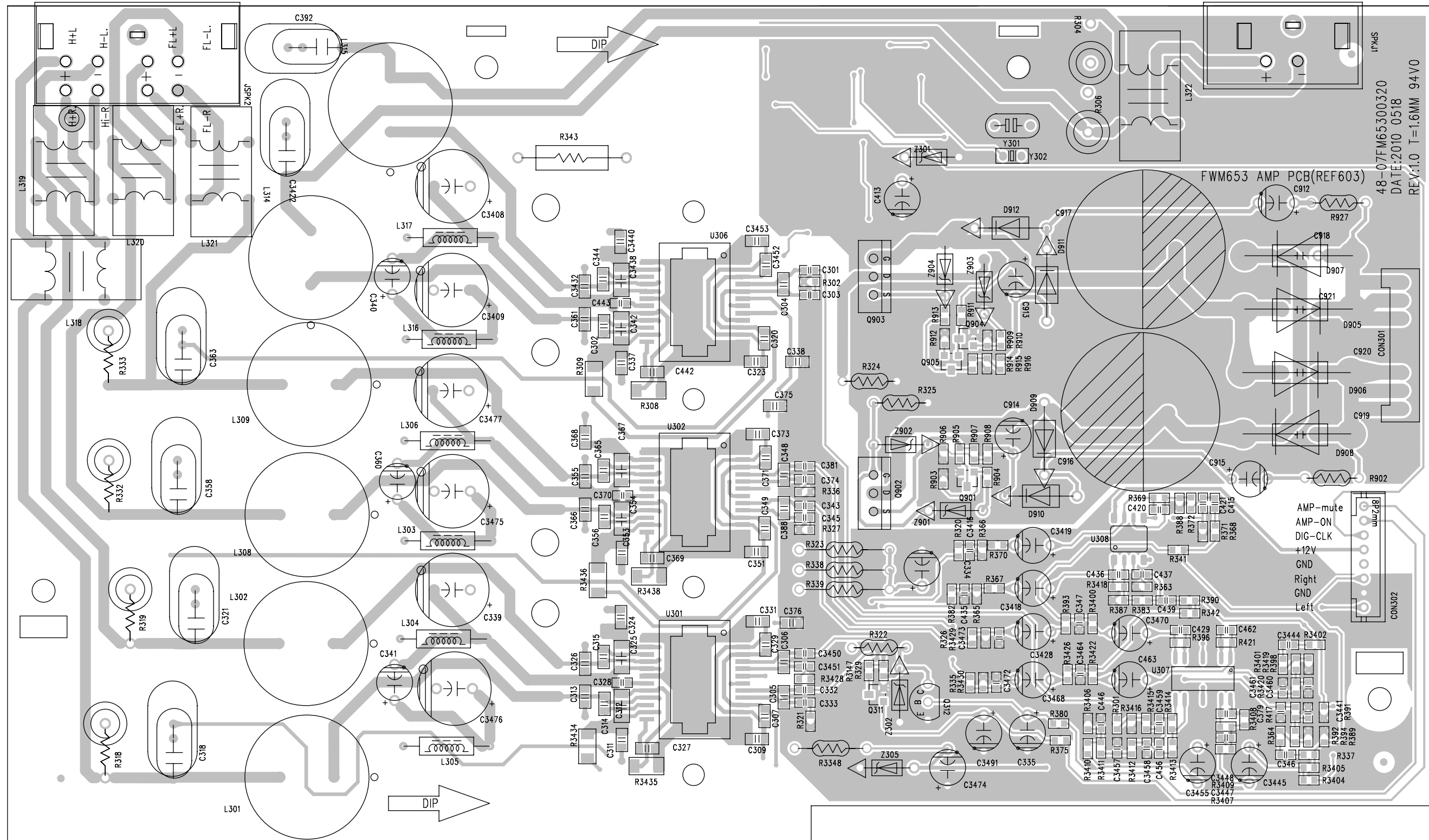
LAYOUT DIAGRAM - DISPLAY/KEY BOARD
BOTTOM SIDE



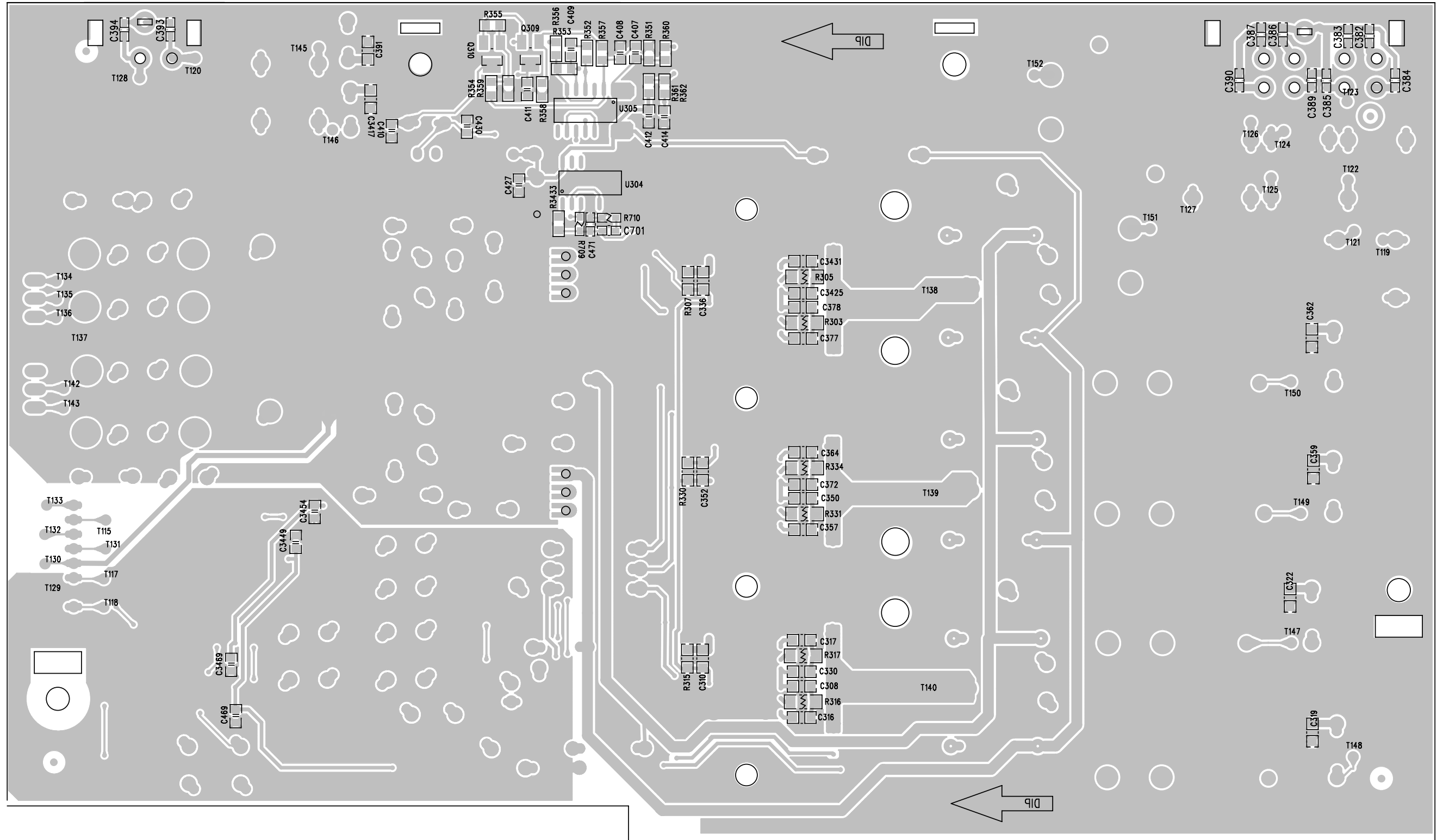
CIRCUIT DIAGRAM - AMP BOARD



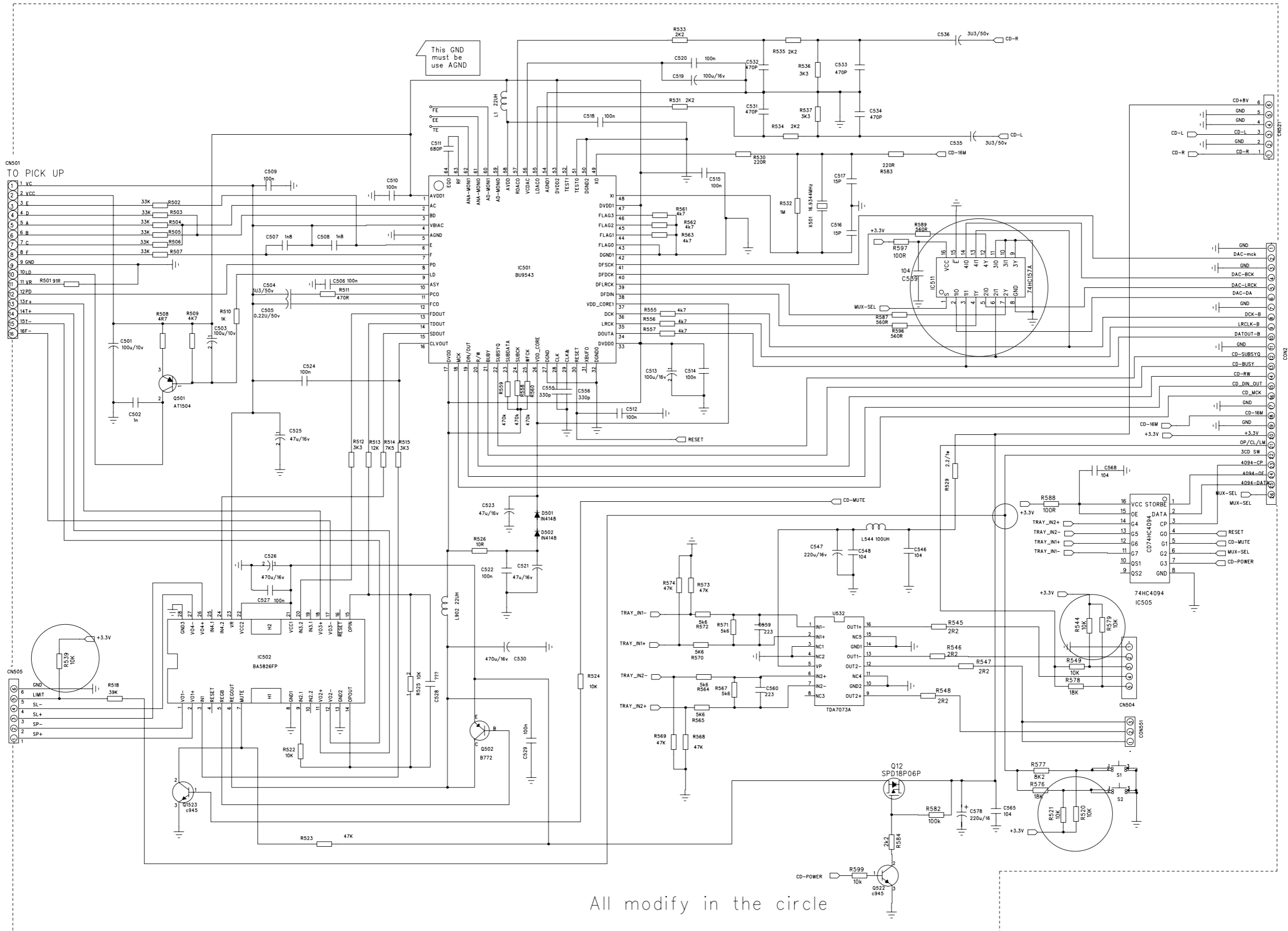
LAYOUT DIAGRAM - AMP BOARD TOP SIDE



LAYOUT DIAGRAM - AMP BOARD BOTTOM SIDE



CIRCUIT DIAGRAM-CD BOARD



TO PICK UP

- 1 YC
- 2 VCC
- 3 E
- 4 D
- 5 A
- 6 R
- 7 C
- 8 F
- 9 GND
- 10 LD
- 11 VR
- 12 PD
- 13 F+
- 14 T+
- 15 I-
- 16 F-

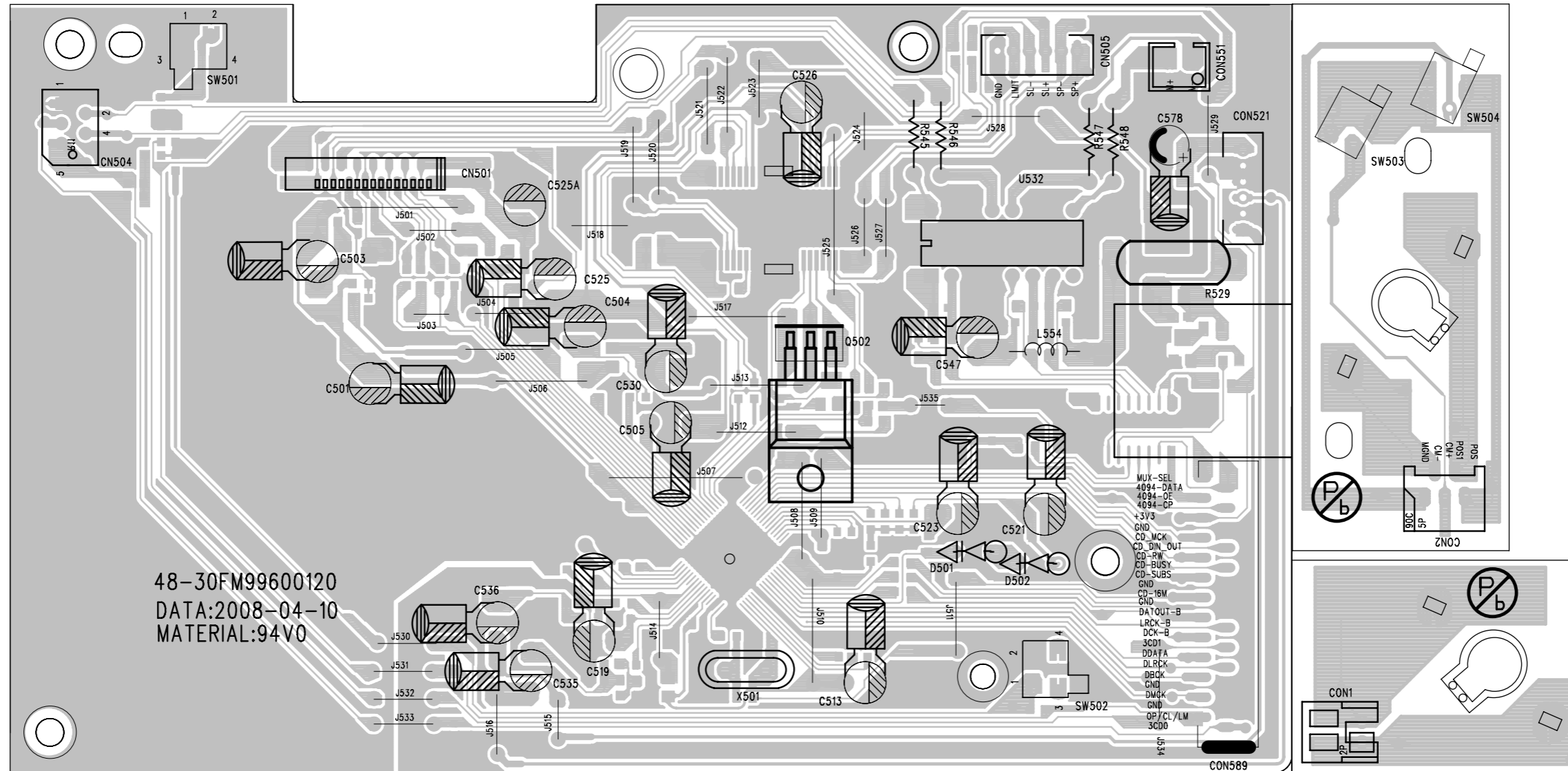
- 6 GND
- 5 SL-
- 4 SL+
- 3 SP-
- 2 SP+

- 6 CD+8V
- 5 GND
- 4 CD-L
- 3 GND
- 2 CD-R
- 1 GND

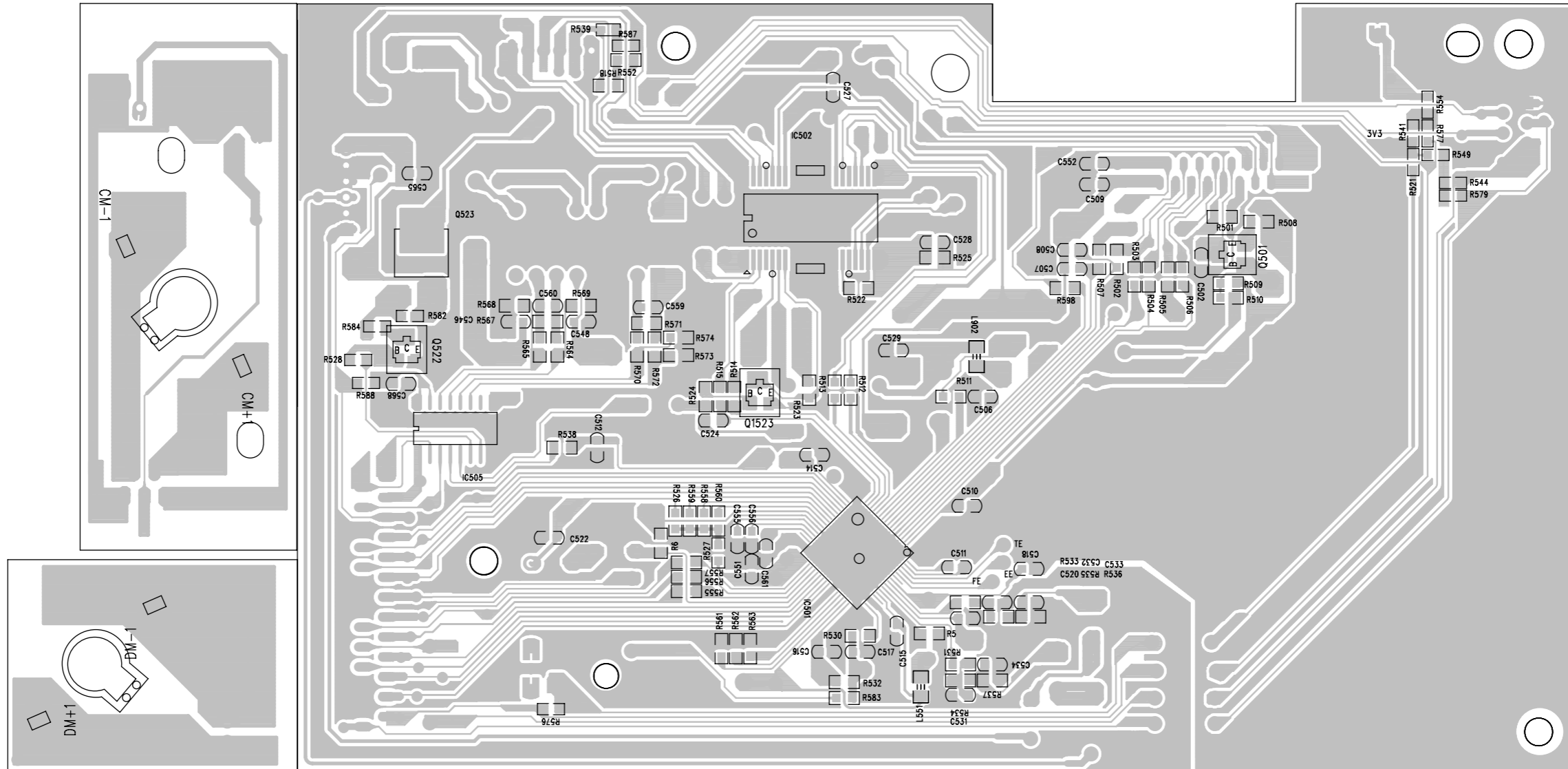
- 1 GND
- 2 DAC-mck
- 3 GND
- 4 DAC-BCK
- 5 DAC-LRCK
- 6 DAC-DA
- 7 GND
- 8 DCK-B
- 9 LRCLK-B
- 10 DATOUT-B
- 11 GND
- 12 CD-SUBSYQ
- 13 CD-BUSY
- 14 CD-RW
- 15 CD-DIN_OUT
- 16 CD_MCK
- 17 GND
- 18 CD-16M
- 19 GND
- 20 CD-16M
- 21 +3.3V
- 22 OP/CL/LM
- 23 3CD_SW
- 24 4094-CP
- 25 4094-DE
- 26 4094-DATA
- 27 MUX-SEL
- 28 MUX-SEL

- 1 VCC STORBE
- 2 OE
- 3 DATA
- 4 CP
- 5 G0
- 6 CD-MUTE
- 7 G2
- 8 MUX-SEL
- 9 CD-POWER
- 10 OS1
- 11 OS2
- 12 GND

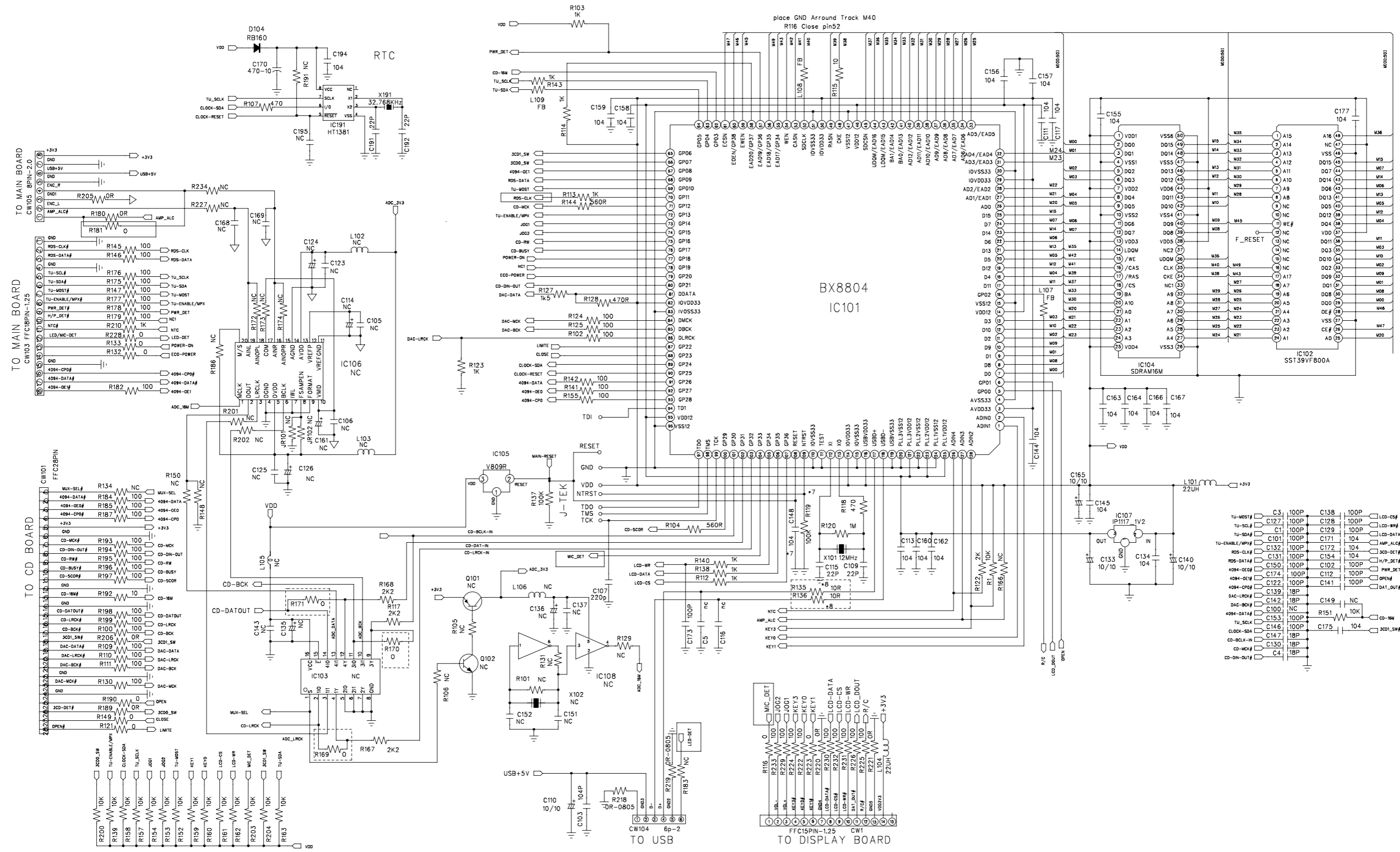
LAYOUT DIAGRAM-CD BOARD
TOP SIDE



LAYOUT DIAGRAM-CD BOARD
BOTTOM SIDE



CIRCUIT DIAGRAM-MCU BOARD



TO MAIN BOARD
CW103 RBPIN-2.0

TO MAIN BOARD
CW103 FFCBPIN-1.25

TO CD BOARD
CW101 FFCBPIN

TO CD BOARD
CW101 FFCBPIN

TO MAIN BOARD
CW103 RBPIN-2.0

TO MAIN BOARD
CW103 FFCBPIN-1.25

TO DISPLAY BOARD
CW1 FFC15PIN-1.25

TO USB
CW104 6p-2

place GND Around Track M40
R116 Close pin52

BX8804
IC101

RTC

IC106

IC105

IC103

IC108

IC102

IC104

place GND Around Track M40
R116 Close pin52

BX8804
IC101

TO DISPLAY BOARD
CW1 FFC15PIN-1.25

TO USB
CW104 6p-2

RTC

IC106

IC105

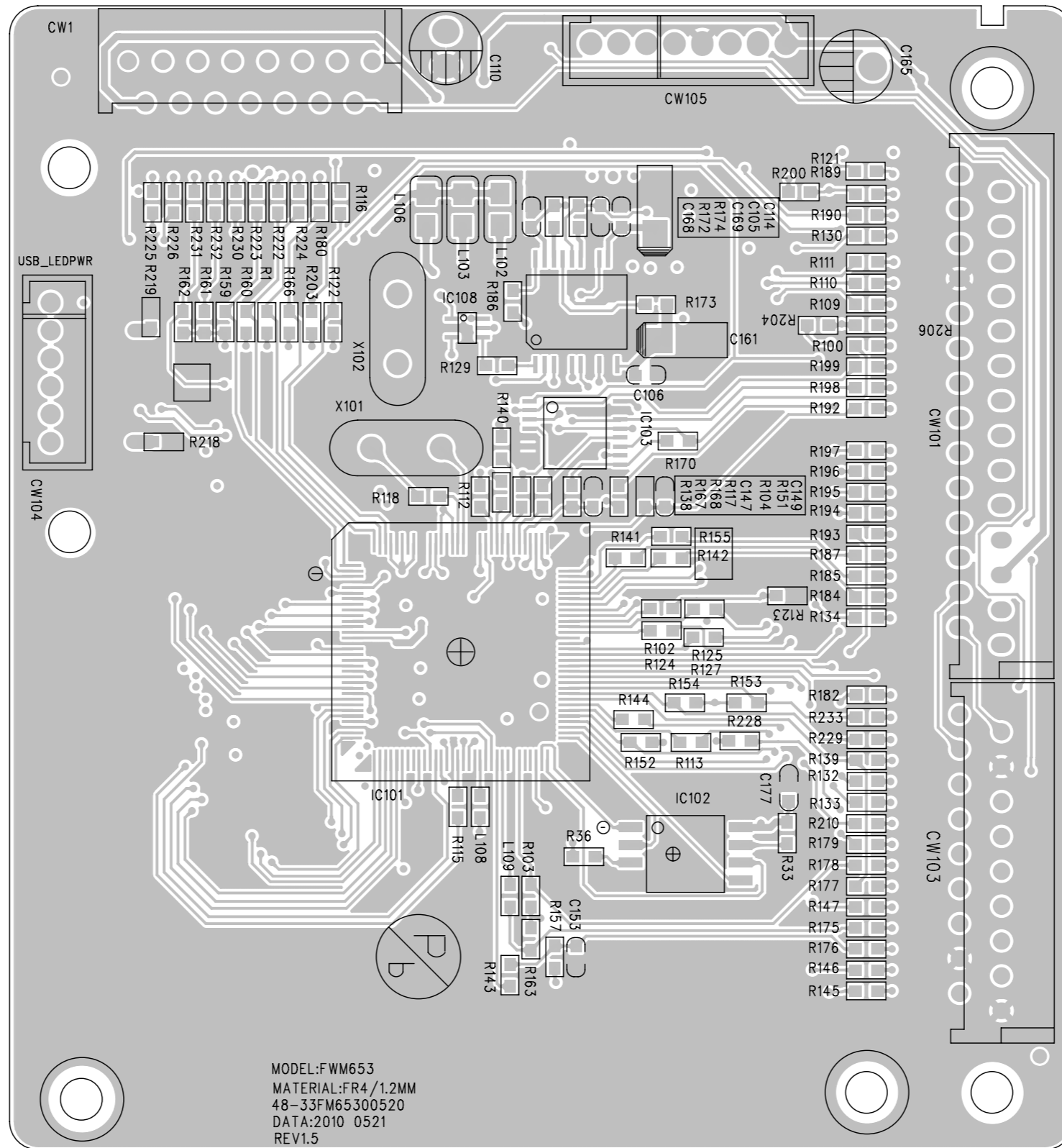
IC103

IC108

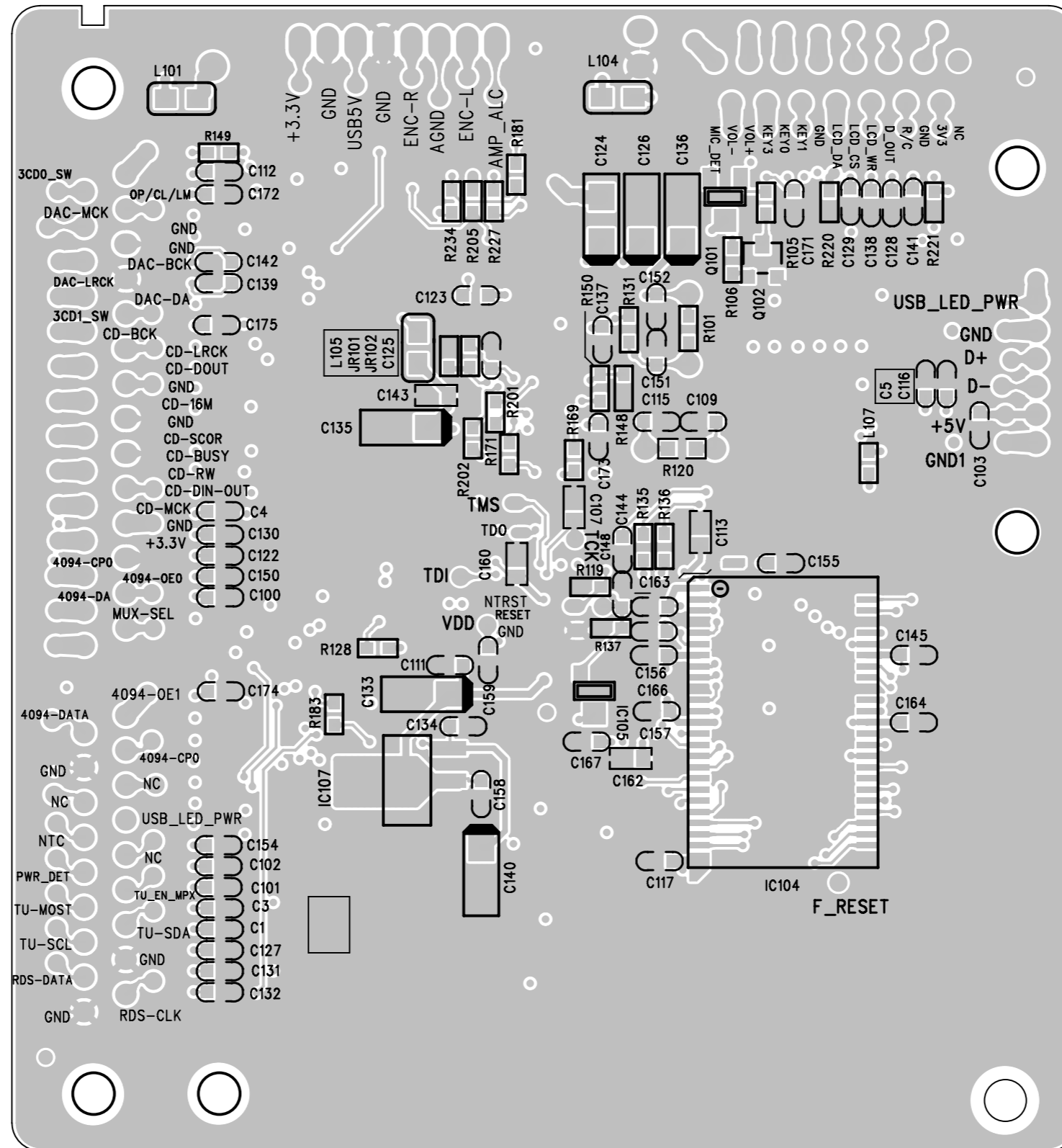
IC102

IC104

LAYOUT DIAGRAM-MCU BOARD
TOP SIDE



LAYOUT DIAGRAM-MCU BOARD BOTTOM SIDE



SET EXPLODED VIEW

